

SUNTEC offers a brand new range of products, based on its gear pump experience.

We are pleased to present you the SUNTEC Fuel Transfer Units (electrical motor, hydraulic pump, measuring instruments and equipment assemblies).

These units could be used in various applications, among these :

- transfer loop (when the storage tank is distant to the burner)
- delivery oil from the tank to one or more burner.

SUNTEC presents three series of Fuel Transfer Units :

- FTU A
- FTU AJ/E
- FTU TA/T

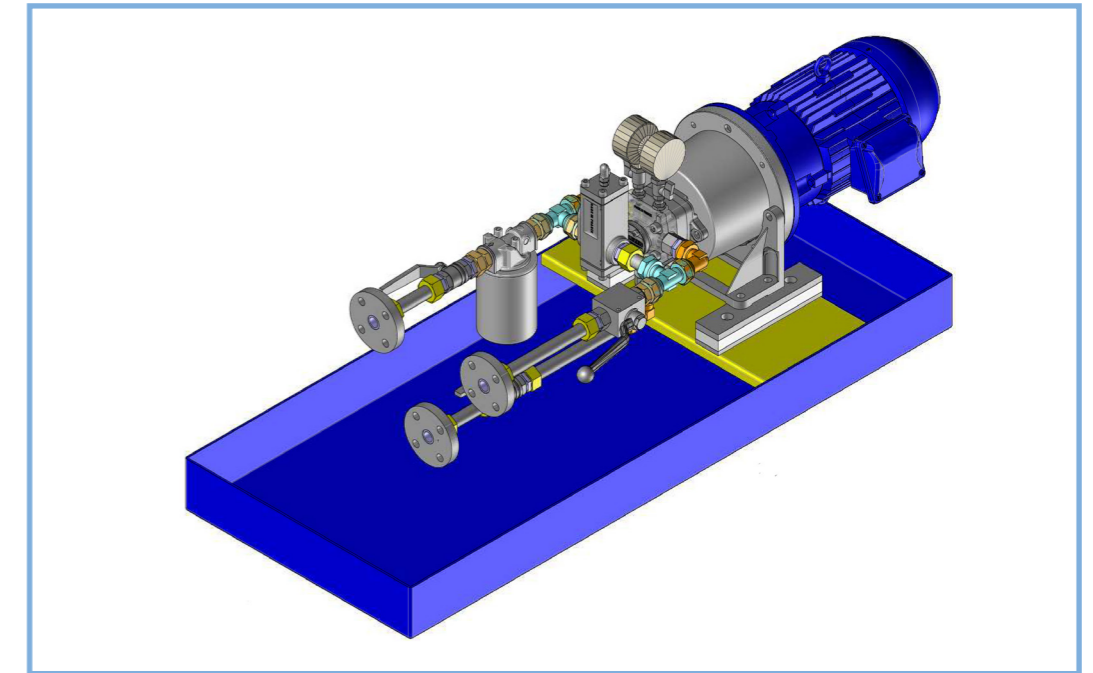
available from 0 to 4000 l/h and able to pump up to 4,5m.

Our Fuel Transfer Units will fit all types of fuels, from kerosene to heavy oil and including biofuels.

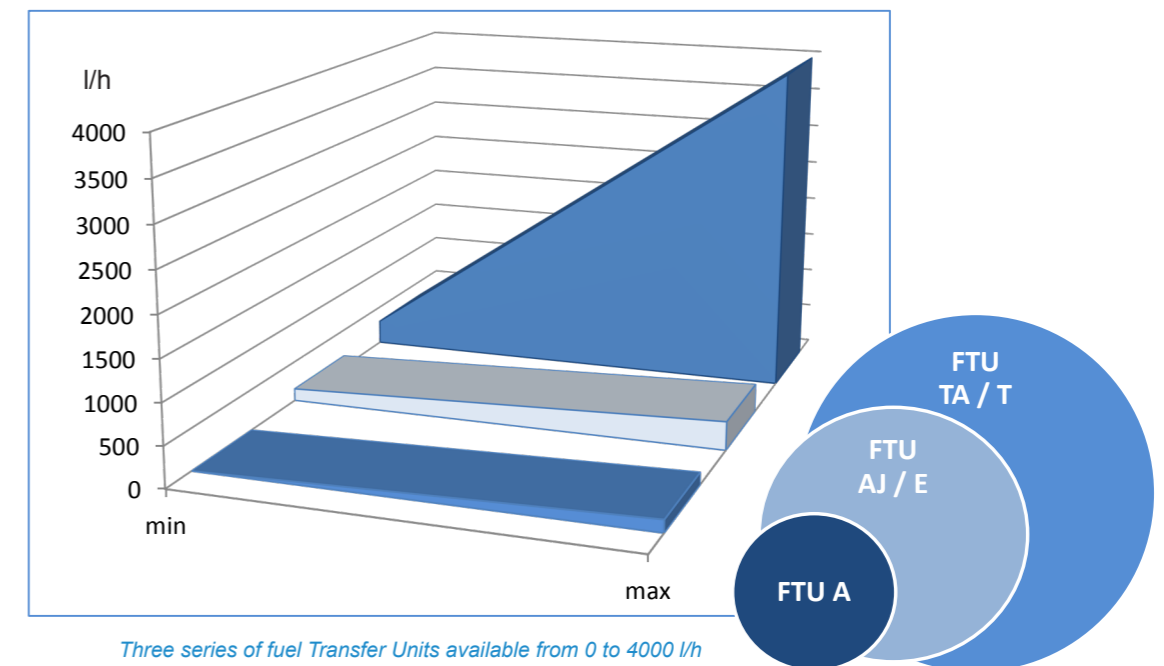
These Fuel Transfer Units are designed according to your needs - select the different elements and applications : motor, fuel, pressure, installation settings, adaptor and accessories; and we will answer to your request.

We are available to answer all your demands.

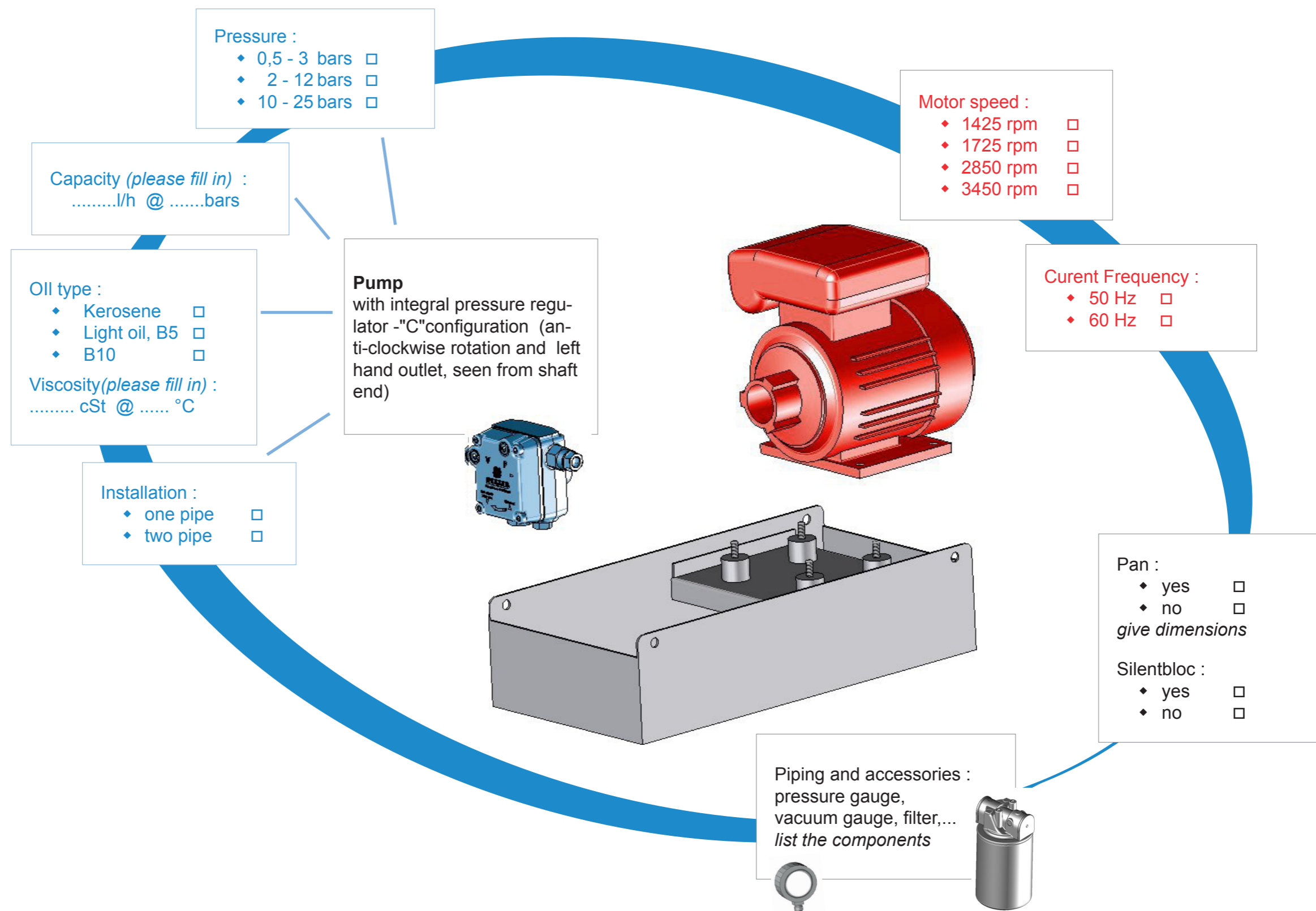
Please do not hesitate to contact us: [information@suntec.fr](mailto:information@suntec.fr)



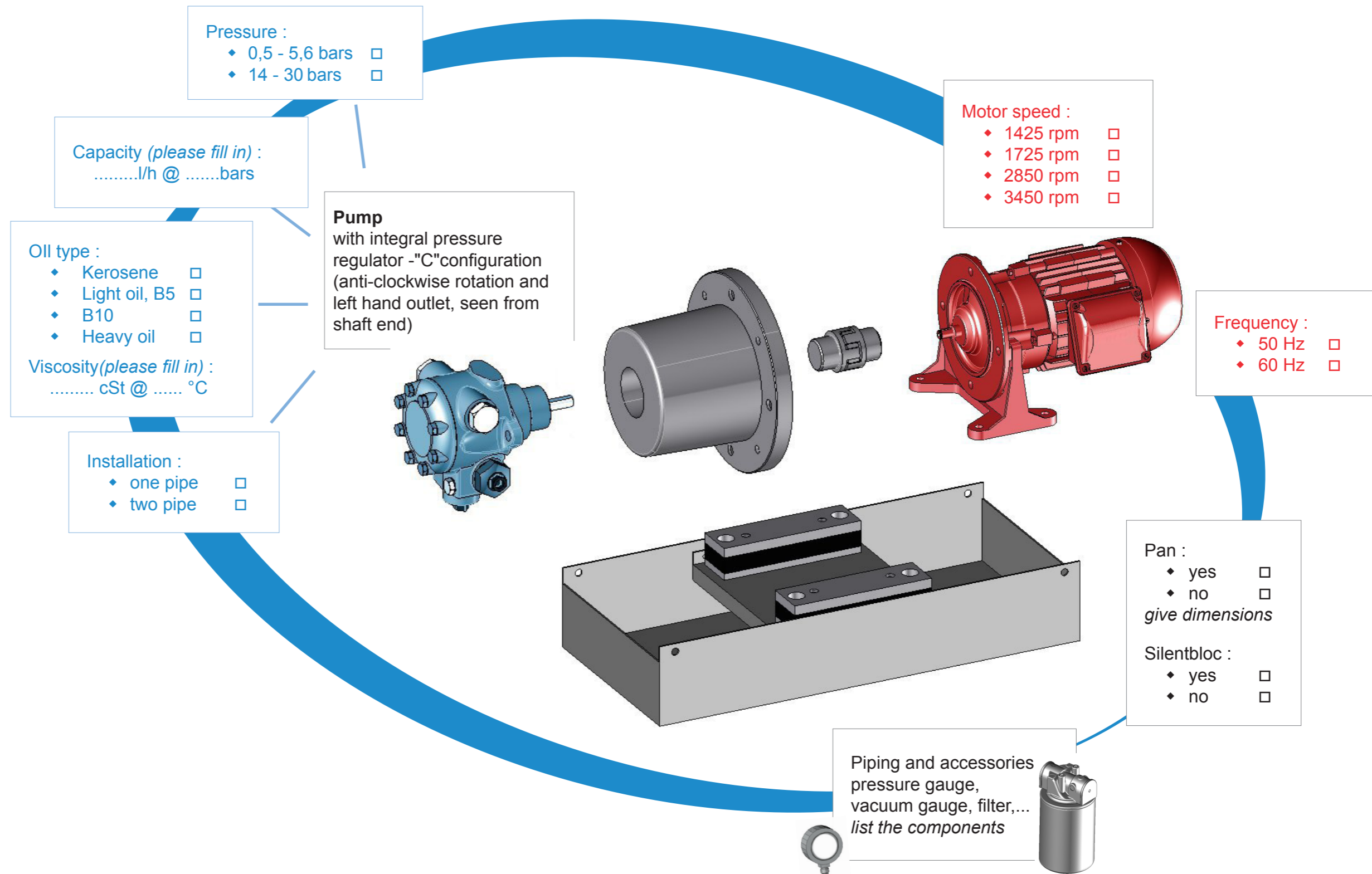
SUNTEC Fuel Transfer Unit (example)



SUNTEC offers you the ideal fuel transfer unit that fits your application : you select the components that satisfy your need...



SUNTEC offers you the ideal fuel transfer unit that fits your application : you select the components that satisfy your need...



SUNTEC offers you the ideal fuel transfer unit that fits your application : you select the components that satisfy your need...

