

AUTOMATIC GAS VALVES Fast Opening / Fast Closing 1/2", 3/4" and 1" – Pmax 360 mbar - 6 bar



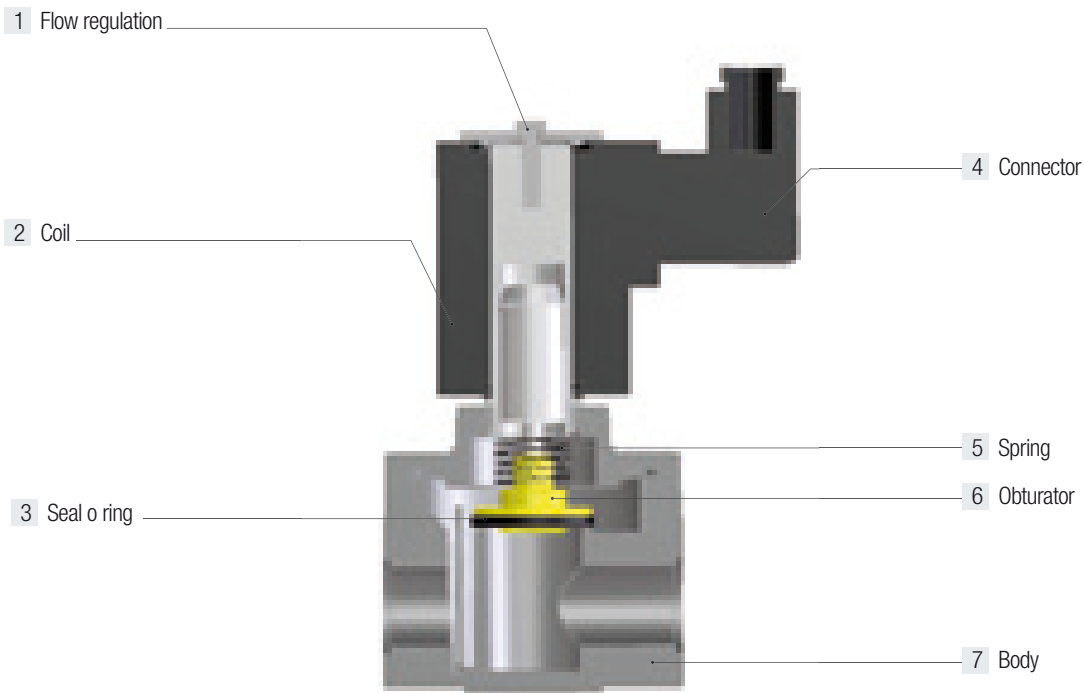
Code	Description	Dimension	Pmax
AV015FO	Gas valve fast opening	1/2"	360 mbar
AV020FO	Gas valve fast opening	3/4"	360 mbar
AV025FO	Gas valve fast opening	1"	360 mbar
AV015FO-FR	Gas valve fast opening Flow regulation	1/2"	360 mbar
AV020FO-FR	Gas valve fast opening Flow regulation	3/4"	360 mbar
AV025FO-FR	Gas valve fast opening Flow regulation	1"	360 mbar
AV015FO-6B	Gas valve fast opening	1/2"	6 bar
AV020FO-6B	Gas valve fast opening	3/4"	6 bar
AV025FO-6B	Gas valve fast opening	1"	6 bar
AV015FO-FO-FR-6B	Gas valve fast opening Flow regulation	1/2"	6 bar
AV020FO-FO-FR-6B	Gas valve fast opening Flow regulation	3/4"	6 bar
AV025FO-FO-FR-6B	Gas valve fast opening Flow regulation	1"	6 bar

TECHNICAL FEATURES

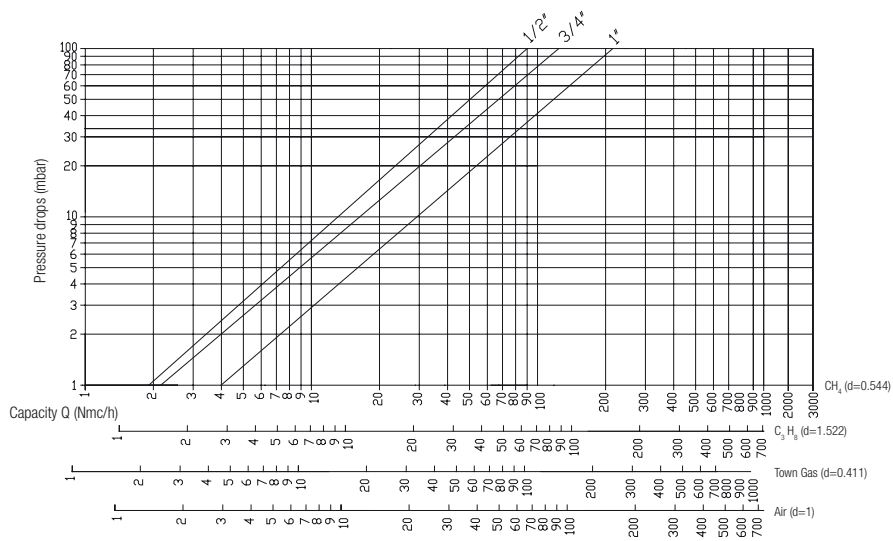
Pmax	360 mbar - 6 bar
Inlet connection	Thread gas 1/2" 3/4" and 1" - ISO 228
Outlet	Thread gas 1/2" 3/4" and 1" - ISO 228
Opening time	<1 second
Closing time	<1 second
Max number of operations	20 per minute
Incorporated AISI 303 steel mesh filter	
Supply voltage	230V (-15%+10%) 50-60Hz 110V (-15%+10%) 50-60Hz 24Vdc (-15%+10%) 50-60Hz
Power	15 VA - 24 VA for 6 bar version Coils to class F copper wire class H
Use	Non - aggressive gases - Family 1 - 2 - 3 and air
Test point	Screw 1/4" NPT
CPI	On request
Working Temperature	- 20 °C - 60 °C
Approval	EN161
Protection degree	IP65

Materials:

Complete Body Die - Cast Aluminium Gd - AISI12Cu - EN AB 46100



FLOW CHART



DIMENSIONS (mm) and WEIGHT (kgs)			
Dimension	A	B	C
1/2"	148	64.5	72
3/4"	148	64.5	72
1"	148	64.5	72

